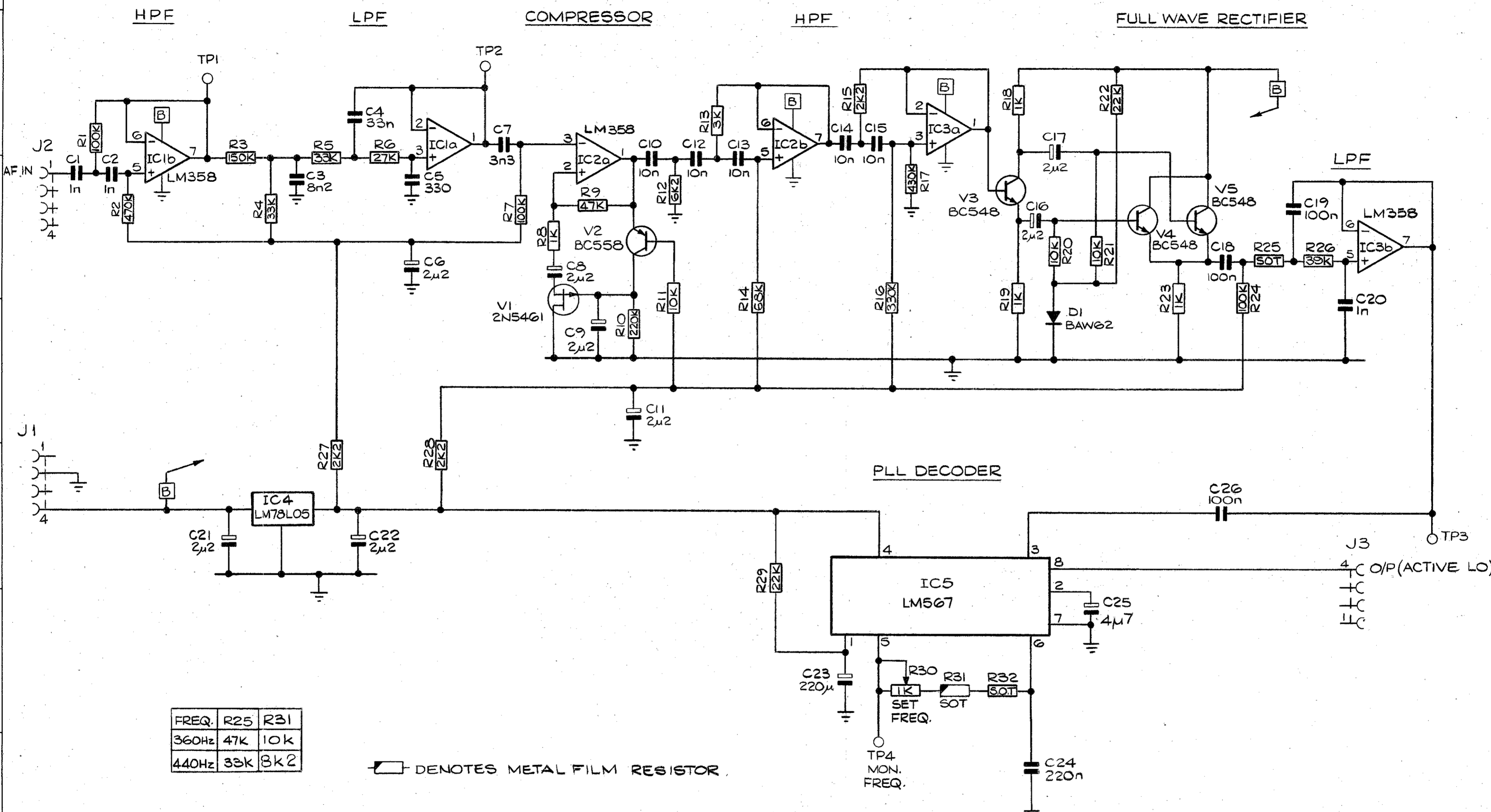


DO NOT SCALE

ISSUE 1
C/R. 21226
10-2-87
ISSUE 2
R26 WAS SOT
R31 " CR25
R25 " 39K
C25 " 47μ
C/R. 21354
14-10-87
ISSUE 3
R16 WAS 270K
C/R. 22276
27/3/90
ISSUE 4
C4 WAS 33n
R5 " 27K
C/R. 22637
27-3-91



FREQ.	R25	R31
360Hz	47K	10K
440Hz	33K	8K2

▭ DENOTES METAL FILM RESISTOR.

PCB. 07-01075
ASSY 08-03273

	DRN.	A.P.J.	DATE	3-9-86	TITLE TWO-TONE DECODER PCB	DRAWING/DOC NO.						
	CHKD.	RCM	10-9-86			A2	04-02231					
MATERIAL	APPD.		10-2-87		TOLERANCES UNLESS OTHERWISE STATED 2 PLACES DEC ± 1 PLACE DEC ± ANGULAR ±	ISS	X	2	\$	4	SHT	
FINISH												OF